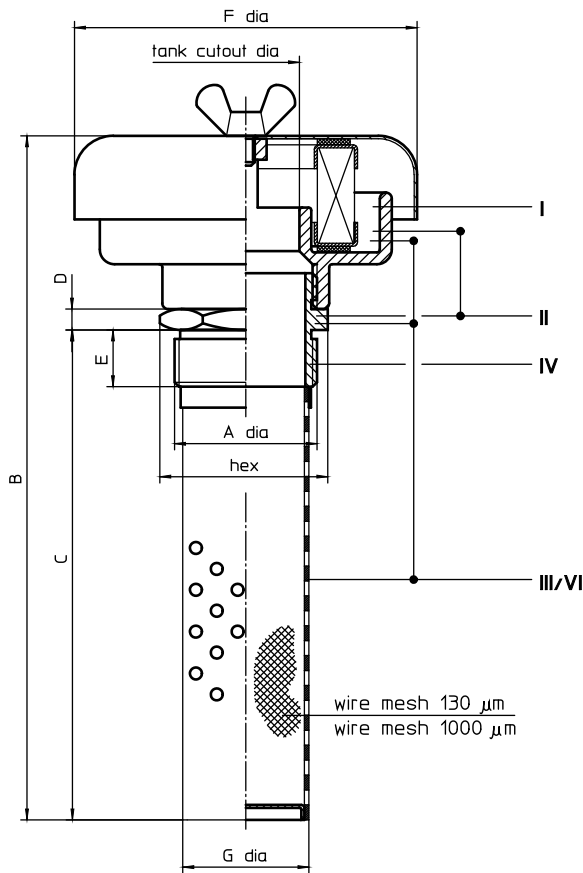


# BREATHER FILTER

## Series NBF 25-85, BF-WP 45-90

Sheet No.  
**6000 T**



### 1. Type index:

#### 1.1. Complete filter: (ordering example)

**NBF. 25. 3VL. P. G. 5. III. C**

|   |   |   |   |   |   |   |   |
|---|---|---|---|---|---|---|---|
| 1 | 2 | 3 | 4 | 5 | 6 | 7 | 8 |
|---|---|---|---|---|---|---|---|

#### 1 series:

NBF = breather filter

#### 2 nominal size: 25, 40, 55, 85

#### 3 filter-material and filter-fineness:

10P = 10μm paper

3VL = filtration efficiency D100 = 3

#### 4 sealing material:

P = Nitrile (NBR); V = Viton (FPM), only for 3VL

#### 5 connection:

G = thread connection

#### 6 connection size:

5 = 1" BSPP; (size 25)      8 = 2" BSPP; (size 55)

7 = 1 1/2" BSPP; (size 40)      A = 3" BSPP; (size 85)

#### 7 execution:

I = only air filter

II = only air filter with double nipple

III = complete as shown with filler filter 130 μm

IV = only fill assembly, (fill screen with double nipple and cap)

V = air filter with NPT adapter

VI = complete as shown with filler filter 1000 μm

#### 8 tank weld coupling:

- = without

C = with tank weld coupling (only for assemblies with clogging indicator consult factory)

#### 1.2. Filter element: (ordering example)

**01NBF. 25-40. 3VL. P**

**01NBF. 55-85. 3VL. P**

|   |   |   |   |
|---|---|---|---|
| 1 | 2 | 3 | 4 |
|---|---|---|---|

|   |   |   |   |
|---|---|---|---|
| 1 | 2 | 3 | 4 |
|---|---|---|---|

filter element for NBF 25-40

filter element for NBF 55-85

#### 1 series:

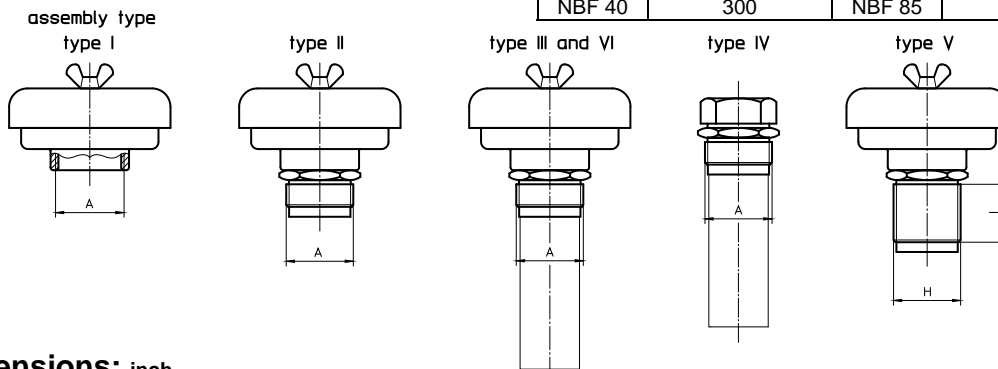
01NBF = breather filter element

#### 2 nominal size: 25-40, 55-85

#### 3 - 4 see type index-complete filter

### 2. Technical data/Performance:

| type   | air flow in GPM |     | type   | air flow in GPM |     |
|--------|-----------------|-----|--------|-----------------|-----|
|        | 3VL             | 10P |        | 3VL             | 10P |
| NBF 25 | 120             |     | NBF 55 | 480             |     |
| NBF 40 | 300             |     | NBF 85 | 925             |     |



### 3. Dimensions: inch

| type   | hex  | A           | tank cutout dia | B     | C     | D   | E    | F    | G    | H          | I    | weight lbs. |
|--------|------|-------------|-----------------|-------|-------|-----|------|------|------|------------|------|-------------|
| NBF 25 | 1.61 | 1" BSPP     | 1.62            | 7.32  | 4.72  | .23 | .70  | 4.52 | 1.10 | 1" NPT     | 1.50 | 1.76        |
| NBF 40 | 2.16 | 1 1/2" BSPP | 2.18            | 9.13  | 6.49  | .27 | .74  | 4.52 | 1.65 | 1 1/2" NPT | 1.60 | 2.64        |
| NBF 55 | 2.75 | 2" BSPP     | 2.62            | 13.07 | 9.05  | .27 | .94  | 7.48 | 2.12 | 2" NPT     | 2.13 | 5.50        |
| NBF 85 | 3.94 | 3" BSPP     | 3.75            | 14.52 | 10.43 | .35 | 1.14 | 7.48 | 3.22 | 3" NPT     | 2.25 | 5.60        |

EDV 05/17

Changes of measures and design are subject to alteration!



Friedensstrasse 41, 68804 Altlussheim, Germany

phone +49 (0)6205 2094-0

fax +49 (0)6205 2094-40

e-mail [filtration@eaton.com](mailto:filtration@eaton.com)

url [www.eaton.com/filtration](http://www.eaton.com/filtration)

## Spin on-vent filter

### 1. Type index:

#### 1.1. Complete filter: (ordering example)

**BF-WP. 90. 10P. P. G. 7. III. C**

|   |   |   |   |   |   |   |   |
|---|---|---|---|---|---|---|---|
| 1 | 2 | 3 | 4 | 5 | 6 | 7 | 8 |
|---|---|---|---|---|---|---|---|

- 1 | **series:**  
BF-WP = spin on-vent filter
- 2 | **nominal size:** 45, 90
- 3 | **filter-material and filter-fineness:**  
10P = 10µm paper  
10VG = 10 µm<sub>(G)</sub> microglass
- 4 | **sealing material:**  
P = Nitrile (NBR)  
V = Viton (FPM)
- 5 | **connection:**  
G = thread connection
- 6 | **connection size:**  
5 = 1" BSPP; (size 45)  
7 = 1 1/2" BSPP; (size 90)
- 7 | **execution:**  
I = only air filter  
II = only air filter with double nipple  
III = complete as shown with filler filter 130 µm  
VI = complete as shown with filler filter 1000 µm
- 8 | **tank weld coupling:**  
- = without  
C = with tank weld coupling (only for assemblies with clogging indicator consult factory)

#### 1.2. Filter element: (ordering example)

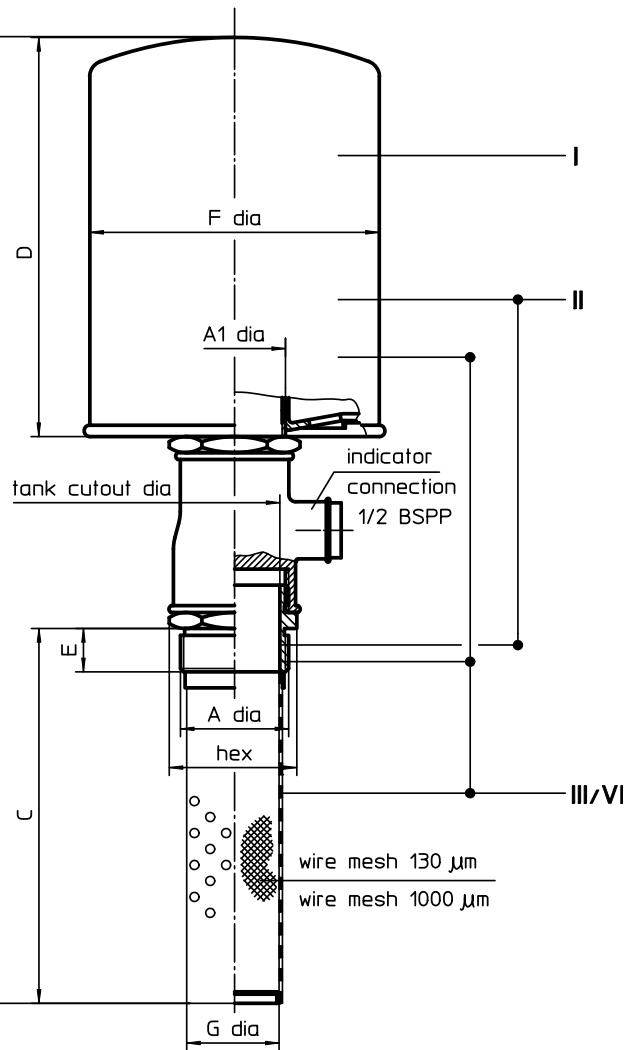
**01WP. 90. 10P. P**

|   |   |   |   |
|---|---|---|---|
| 1 | 2 | 3 | 4 |
|---|---|---|---|

- 1 | **series:**  
WP = spin-on cartridge
- 2 | - 4 | see type index-complete filter

### 2. Technical data:

| type     | air flow in GPM, Δp approx. 0,14 PSI |      |
|----------|--------------------------------------|------|
|          | 10P                                  | 10VG |
| BF-WP 45 | 106                                  | 17   |
| BF-WP 90 | 198                                  | 37   |



### 3. Dimensions: inch

| type     | hex  | A           | A1          | tank cutout DIA | B     | C    | D    | E   | F    | G    | weight lbs. |
|----------|------|-------------|-------------|-----------------|-------|------|------|-----|------|------|-------------|
| BF-WP 45 | 1.61 | 1" BSPP     | 3/4" BSPP   | 1.62            | 13.18 | 4.72 | 5.70 | .70 | 3.62 | 1.10 | 1.76        |
| BF-WP 90 | 2.16 | 1 1/2" BSPP | 1 1/4" BSPP | 2.18            | 16.14 | 6.49 | 6.88 | .78 | 5.03 | 1.65 | 2.20        |